

# Galanz

## REFRIGERATOR INSTRUCTION MANUAL

Model No.:  
**GL27BK/GL27WE/GL27S5/GL27RD**

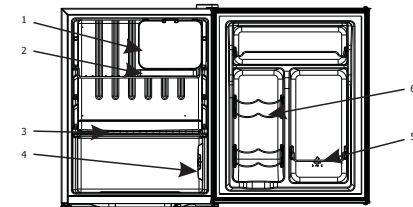
To ensure proper use of this appliance and for your safety, please read the following instructions completely before operating this appliance.

### TABLE OF CONTENTS

Parts and features.....	1
Important safety instructions.....	1
Important grounding instructions.....	2
Installation instructions.....	3
Operating instructions.....	3
Cleaning.....	4
Defrosting.....	4
Power failure.....	5
Vacation.....	5
Moving the refrigerator.....	5
Specifications.....	6
Troubleshooting tips.....	6
Reversing the door.....	8
Warranty.....	9

Refrigerator GL27BK/GL27WE/GL27S5/GL27RD Use and Care Manual Support:800-562-0738

### PARTS AND FEATURES



- Freezer compartment
- Drip tray
- Removable shelf
- Temperature control dial
- Tall bottle storage
- Can dispenser

### IMPORTANT SAFETY INSTRUCTIONS

When using electrical appliances, basic safety precautions should always be followed to reduce the risk of fire, electrical shock, and/or injury to persons, including the following:  
Read all instructions before using the appliance.  
1. This appliance must be grounded. Connect only to properly grounded outlet. See Important Grounding Instructions on page 3.  
2. Install or locate this refrigerator only in accordance with the provided Installation Instructions.  
3. To protect against electric shock, do not place cord, plug, or refrigerator in water or other liquid.

1

Refrigerator GL27BK/GL27WE/GL27S5/GL27RD Use and Care Manual Support:800-562-0738

### WARNING- Improper use of grounding can result in a risk of electric shock.

- Consult a qualified electrician or serviceman if the grounding instructions are not completely understood or if doubt exists as to whether the appliance is properly grounded.
- If it is necessary to use an extension cord, use only a 3-wire extension cord that has a 3-blade grounding plug, and a 3-slot receptacle that will accept the plug on the appliance. The marked electrical rating of the extension cord shall be equal to or greater than the rating of the appliance.



### INSTALLATION INSTRUCTIONS

- Before using the refrigerator for the first time, remove all of the packing materials, including the foam base and adhesive tape holding accessories in place.
- The refrigerator should be located on a firm, flat surface that is strong enough to support the refrigerator when it is fully loaded.
- Choose a location that is not exposed to direct sunlight, high temperatures, heat sources such as a stove or radiator, or in a moist area. Do not choose a location where the temperature will go below 55°F as this could cause the refrigerator to not function properly.
- Leave a minimum of 1/2" between each side of the appliance and the wall. The top and back of the appliance should have a minimum of 1 1/2" clearance. This allows for proper air circulation. This appliance is intended to be free-standing and should not be built-in or placed in a recessed area.
- The refrigerator legs must be adjusted during installation in order to function properly. The leveling legs on the front corners can be adjusted by turning clockwise to raise the appliance, and counter-clockwise to lower it. Be sure to have the appliance slope slightly backward to ensure that the door closes tightly.

### OPERATING INSTRUCTIONS

- Allow refrigerator to stand upright for 4 hours before using.
- Plug into a grounded outlet or appropriate extension cord (see Important Grounding Instructions).

3

Refrigerator GL27BK/GL27WE/GL27S5/GL27RD Use and Care Manual Support:800-562-0738

- If your model has a drip tray, be sure to place it under the freezer compartment to collect water. It may be necessary to empty the drip tray during the defrosting process.
- Turn the unit off and unplug it from the outlet.
- The defrosting process can take several hours. Open the door to speed up the process.
- When defrosting is completed, wipe the compartment with a soft cloth to remove any remaining water.
- Reset the refrigerator temperature, following the operating instructions on page 4.

**ATTENTION:** Do not use sharp or pointed objects to remove frost or ice from the surfaces of the freezer compartment. This can cause damage to the compartment walls and cooling coils, and will void the warranty.

### POWER FAILURE

When a power failure occurs, the refrigerator can normally store food for several hours. Do not put additional food into the appliance during a power failure, and do not open door. Disconnect the plug from the outlet, and reconnect when the power has been restored. **Always inspect for, and discard, any spoiled or thawed food in the refrigerator or freezer before resuming use of the appliance.**

### VACATION

Before leaving on any vacation, remove food that could spoil while you are gone. If you plan to be gone for an extended period of time, we recommend that all of the food should be removed from the appliance and it should be turned off and unplugged from the outlet. Clean the interior according to the directions provided in the Cleaning section of this manual, and leave the door open.

### MOVING THE REFRIGERATOR

- Turn off the refrigerator and unplug from the outlet.
- Remove all food and securely tape down all loose items inside.
- Tap the door shut.
- Do not lift or pull the door or door handle during transportation.
- When moving, the appliance can not be tilted over 45 degrees as possible damage to the sealed system could occur.
- Take care to avoid strong vibration or impact to the appliance.

5

Refrigerator GL27BK/GL27WE/GL27S5/GL27RD Use and Care Manual Support:800-562-0738

Problem	Possible Cause	What to do
Compressor runs too long, or cycles on and off frequently	-Hot weather	-This is normal
	-Door opened too frequently	-This is normal
	-Door not closed tightly	-Check to be sure nothing inside the refrigerator is preventing the door from closing
	-Temperature control set at coldest setting	-Adjust temperature to a warmer setting
Moisture forms on the outside of the appliance	-This is normal during periods of high humidity	-Wipe the surface dry using a soft cloth
	-The door is slightly open	-Close the door tightly
Moisture forms on the inside of the appliance	-This is normal during periods of high humidity	-This is normal
	-Door is opened too long or too frequently	-Do not open the door too long or too frequently
Vibration noise	-Refrigerator is on an uneven surface	-Adjust the leveling legs
	-Refrigerator is touching a wall	-Move the refrigerator away from the wall

The following are normal conditions that can be encountered during the operation of this appliance:

- The flow of refrigerant through the coils can cause a noise.
- The sides of the appliance may become warm as a result of the cooling function.

7

Refrigerator GL27BK/GL27WE/GL27S5/GL27RD Use and Care Manual Support:800-562-0738

### Limited Warranty

This warranty applies to products purchased and used in the U.S. This is the only express warranty for this product and is in lieu of any other warranty.

This product is warranted to be free from defects in material and workmanship for a period of one (1) year from the date of original purchase, except as noted below. During this period, we will repair or replace this product at our option.

This warranty extends only to the original consumer purchaser and does not cover a defect resulting from abuse, misuse, neglect including failure to clean product regularly in accordance with manufacturer's instructions, use for commercial purposes, or any use not in conformity with the printed directions.

We exclude all claims for special, incidental, and consequential damages caused by breach of express or implied warranty. All liability is limited to the amount of the purchase price. **Every implied warranty, including any statutory warranty of merchantability or fitness for a particular purpose, is disclaimed except to the extent prohibited by law, in which case such warranty is limited to the duration of this written warranty.** This warranty gives you specific legal rights. You may have other legal rights that vary depending on where you live. Some states do not allow limitations on implied warranties or special, incidental, or consequential damages, so the foregoing limitations may not apply to you.

If you have a claim under this warranty, please call our CUSTOMER SERVICE NUMBER. For faster service please have model, series, and type numbers ready for operator to assist you.

CUSTOMER SERVICE NUMBER  
In the U.S. 800-562-0738

KEEP THIS NUMBER FOR FUTURE REFERENCE!  
Warrantor: Zhongshan Galanz Consumer  
Electric Appliances Co., Ltd., Guangdong 528429

9

Refrigerator GL27BK/GL27WE/GL27S5/GL27RD Use and Care Manual Support:800-562-0738

- Close supervision is necessary when any appliance is used by or near children.
- Do not operate this appliance if it has a damaged cord or plug, if it is not working properly, or if it has been damaged or dropped.
- This appliance should be serviced only by qualified service personnel. Contact your nearest authorized service facility or call our toll-free customer service number for information on examination, repair, or adjustment.
- Do not cover or block any openings or air vents on this appliance.
- Do not store this appliance outdoors. Do not use this appliance near water. For example, do not use near a kitchen sink, in a wet basement, near a swimming pool, or similar locations.
- Do not locate this appliance near heat sources or open flames.
- Do not use or store gasoline or other flammable vapors and liquids in the vicinity of this or any other appliance. The fumes can create a fire hazard or explosion.
- Do not place heavy objects or magnet items on top of the refrigerator.
- The refrigerant of this product is R600a, which is flammable. Make sure not to damage the cooling system during the transportation and installation.
- To minimize the risk of possible ignition due to improper service or the use of incorrect parts, this unit must be serviced by factory authorized personnel only.

### !SAVE THESE INSTRUCTIONS!

### DANGER! RISK OF CHILD ENTRAPMENT

Before you throw away your old refrigerator or freezer:  
1. Take off the doors.  
2. Leave the shelves in place so that children may not easily climb inside.

### Refrigerants

All refrigeration products contain refrigerants, which under federal law must be removed prior to product disposal. If you are getting rid of an old refrigeration product, check with a qualified disposal company for instructions.

### IMPORTANT GROUNDING INSTRUCTIONS

This appliance must be grounded. In the event of an electrical short circuit, grounding reduces the risk of electric shock by providing an escape wire for the electric current. This appliance is equipped with a cord having a grounding wire with a grounding plug. The plug must be plugged into an outlet that is properly installed and grounded.

2

Refrigerator GL27BK/GL27WE/GL27S5/GL27RD Use and Care Manual Support:800-562-0738

- The temperature of the refrigerator can be controlled manually by the control dial. Setting # 1 is the warmest setting, while setting # 7 is the coldest. The first time you turn the unit on, set the dial on # 4 and allow 24 hours for the refrigerator to reach this temperature. If a colder or warmer temperature is desired after this period, use the dial to adjust to the temperature that best meets your needs. Please note that moving the dial to # 0 stops the cooling but does not turn the power off.
- Food should be kept in sealed containers to prevent odors or drying.
- Hot food should be cooled down before placing into the appliance to prevent increase in interior temperature and power consumption. Placing food inside too soon will impact the performance.
- Reducing the frequency of door opening can lower power consumption.

### CLEANING

#### Interior

Clean the interior of the appliance with a mixture of warm water and baking soda, using about 1 – 2 tablespoons per quart of water. Use a sponge or soft cloth and be sure to wipe excess moisture out before cleaning around the controls. Rinse thoroughly with warm water and dry with a clean, soft cloth.

#### Exterior

The exterior surface can be cleaned using warm water and a mild detergent. Rinse thoroughly and dry with a clean, soft cloth.

#### Door Gasket

The door gasket must be kept clean to ensure a proper seal. Be sure to clean the gasket frequently, using the method described above.

### DEFROSTING

Frost build-up on the walls of the freezer section will increase energy consumption and reduce the efficiency of the appliance. Defrost the freezer section whenever the frost reaches a thickness of 1/4".

- Remove food from the refrigerator and freezer compartment.

4

Refrigerator GL27BK/GL27WE/GL27S5/GL27RD Use and Care Manual Support:800-562-0738

### SPECIFICATIONS

Climate	T	
Electric shock protection type	1	
Capacity (cu.ft)	2,7	
Voltage (VAC)	120	
Frequency (Hz)	60	
Current (A)	0.8	
Voice (dB(A))	≤42	
Refrigerant	R600a/0,81 oz	
Net weight	36.38 lbs	
Interior temperature (F)	32 – 46.4	
Unit dimensions (in inches)	Width	19,13
	Depth	19,69
	Height	24,69

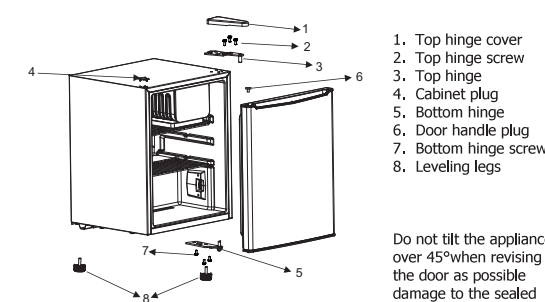
### TROUBLESHOOTING TIPS

Problem	Possible Cause	What to do
Refrigerator does not operate	-Not plugged in tightly	-Unplug, wait 10 seconds, then plug in again
	-Tripped circuit breaker or blown fuse	-Replace fuse or reset circuit breaker
Refrigerator seems too warm/food does not seem to cool	-Problem with electrical outlet	-Consult with a professional electrician
	-Temperature setting may be too warm	-Lower the temperature setting
	-Door opened too frequently	-This is normal
	-Door not closed tightly	-Check to make sure nothing inside is causing the door to not close
	-Warm weather	-This is normal

6

Refrigerator GL27BK/GL27WE/GL27S5/GL27RD Use and Care Manual Support:800-562-0738

### REVERSING THE DOOR



- Remove top hinge cover and 3 top hinge screws which are below it. Then remove top hinge.
- Remove 1 cabinet plugs and 1 door handle plug.
- Remove the door.
- Remove right and left leveling legs.
- Remove the bottom hinge and 3 bottom hinge screws.
- Install the bottom hinge on the other side of the leveling legs with 3 bottom hinge screws.
- Install right and left leveling legs. There are two holes below the refrigerator to fit the two leveling legs.
- Install the door.
- Install the top hinge on the other side with 3 top hinge screws.
- Install top cover above the top hinge and install 1 cabinet plugs and 1 door handle plug on the other side.
- Adjust the leveling legs.

8

# Galanz

## MANUAL DE INSTRUCCIONES DE REFRIGERADOR

**Modelo No.:**  
**GL27BK/GL27WE/GL27S5/GL27RD**

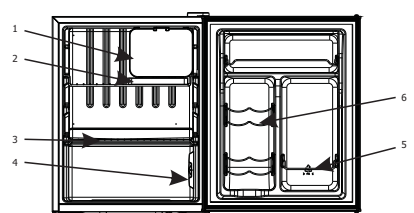
Para asegurar el uso correcto de este aparato y para su seguridad, por favor lea completamente las siguientes instrucciones antes de operar este aparato.

### INDICE

Partes y Características.....	1
Instrucciones Importantes de Seguridad .....	1
Instrucciones Importantes de Conexión a Tierra .....	2
Instrucciones de Instalación .....	3
Instrucciones de Operación .....	3
Limpieza .....	4
Descongelado .....	4
Falla Eléctrica.....	5
Vacaciones.....	5
Para Mover el Refrigerador.....	5
Especificaciones .....	6
Consejos para Solucionar Problemas .....	6
Volteando la Puerta .....	8
Garantía.....	9

Refrigerador GL27BK/GL27WE/GL27S5/GL27RD Manual de Uso y Cuidado Servicio al Cliente: 800-562-0738

### PARTES Y CARACTERÍSTICAS



1. Compartimento del Congelador
2. Bandeja de Goteo
3. Anaqueo Removible
4. Perilla de Control de Temperatura
5. Almacenaje Alto para Botellas
6. Dispensador de Latas

### INSTRUCCIONES IMPORTANTES DE SEGURIDAD

Cuando utilice aparatos electrodomésticos deberá tomar precauciones de seguridad básicas para reducir el riesgo de incendio, descarga eléctrica y/o daño a personas, incluyendo las siguientes:

1. Lea todas las instrucciones antes de operar este aparato.
1. El aparato debe tener conexión a tierra. Conecte solo a una toma con conexión a tierra adecuada. Vea "Instrucciones Importantes de Conexión a Tierra" que se encuentran en la página 3.
2. Instale o ubique este refrigerador solo de acuerdo con las Instrucciones de Instalación que se encuentran en este manual.
3. Para protección contra descarga eléctrica, no ubique el cable, enchufe o refrigerador sobre agua u otro líquido.

Refrigerador GL27BK/GL27WE/GL27S5/GL27RD Manual de Uso y Cuidado Servicio al Cliente: 800-562-0738

### ADVERTENCIA - El uso inadecuado de la conexión a tierra puede resultar en un riesgo de descarga.

1. Consulte a un electricista o personal de servicio calificado si las instrucciones sobre la conexión a tierra no son completamente comprendidas o si tiene dudas sobre la conexión a tierra adecuada para este aparato.
2. Si es necesario usar un cable de extensión, solo utilice uno que tenga 3 hilos con un enchufe de tres clavijas con conexión a tierra y un tomacorrientes con un receptor de 3 entradas en el que pueda enchufar el aparato. La clasificación eléctrica del cable de extensión deberá ser igual o mayor que la clasificación del aparato.



### INSTRUCCIONES DE INSTALACION

1. Antes de utilizar el refrigerador por primera vez, remueva todos los materiales de empaque, incluyendo la base de espuma y la cinta adhesiva que mantiene a los accesorios en su lugar.
2. El refrigerador deberá ser ubicado en una superficie firme y plana que sea lo suficientemente estable para soportar el refrigerador cuando este se encuentre completamente lleno.
3. Elija un lugar que no esté directamente expuesto a la luz solar directa, a altas temperaturas, a fuentes de calor tales como una estufa o un radiador, o en un área húmeda. No elija un lugar donde la temperatura se encuentre por debajo de los 55° F ya que esto podrá causar que el refrigerador no funcione adecuadamente.
4. Deje un mínimo de 1/2 pulgada entre cada lado del aparato y la pared. Las partes superior y posterior del aparato deberán de tener un mínimo de espacio de 1 1/2 pulgadas entre el refrigerador y cualquier otra superficie. Esto permitirá una circulación de aire adecuada. Este aparato fue diseñado para la instalación independiente y no deberá ser empotrado o colocado en un recoveco.
5. Para que el refrigerador funcione adecuadamente, será necesario ajustar las patas durante la instalación. Las patas de nivelación en las esquinas delanteras se pueden ajustar girando hacia la derecha para elevar el aparato, y hacia la izquierda para bajarlo. Asegúrese de mantener el aparato ligeramente inclinado hacia atrás para asegurar que la puerta cierre herméticamente.

### INSTRUCCIONES DE OPERACION

1. Deje el refrigerador en posición vertical durante 4 horas antes de operarlo.
2. Enchúfelo a un tomacorrientes con conexión a tierra o a un cable de extensión adecuado (vea Instrucciones Importantes de Conexión a Tierra).

Refrigerador GL27BK/GL27WE/GL27S5/GL27RD Manual de Uso y Cuidado Servicio al Cliente: 800-562-0738

2. Si su modelo tiene una bandeja de goteo, asegúrese de colocarla debajo del compartimento del congelador para recolectar el agua. Puede ser necesario vaciar la bandeja de goteo durante el proceso de descongelado.
3. Apague la unidad y desenchúfela del tomacorrientes.
4. El proceso de descongelado puede tomar varias horas. Abra la puerta para acelerar el proceso.
5. Cuando se haya completado el descongelado, limpie el compartimento con un paño suave para eliminar el agua restante.
6. Ajuste la temperatura del refrigerador de acuerdo a las Instrucciones de Operación que se encuentran en la página 4.

### ATENCIÓN

No utilice objetos filosos o puntiagudos para remover la escarcha o el hielo de las superficies del compartimento del congelador. Esto puede causar que las paredes o las bobinas enfriadoras sean dañadas y se invalide la garantía.

**FALLA ELÉCTRICA**

Cuando ocurre una falla eléctrica, el refrigerador puede normalmente almacenar comida por varias horas. No coloque más comida en el aparato durante una falla eléctrica y no abra la puerta. Desconecte el enchufe del tomacorrientes y vuélvalo a conectar cuando la energía eléctrica haya sido restaurado. Siempre verifique que no haya comida echada a perder o que se haya descongelado en el refrigerador o en el congelador y deséchela antes de volver a utilizar el aparato.

### VACACIONES

Antes de salir de vacaciones, remueva toda la comida que se pueda echar a perder mientras se encuentra ausente. Si planea estar fuera durante un largo periodo de tiempo, recomendamos que todos los alimentos sean removidos del aparato y que este sea apagado y desenchufado del tomacorrientes. Limpie el interior de acuerdo con las instrucciones que se encuentran en la sección de Limpieza de este manual y deje la puerta abierta.

### PARA MOVER EL REFRIGERADOR

1. Apague el refrigerador y desenchúfelo del tomacorrientes.
2. Remueva toda la comida y asegure con cinta adhesiva todos los objetos en el interior del aparato.
3. Selle la puerta con cinta adhesiva.
4. No cargue o jale la puerta o la manija durante transportación.
5. Cuando mueva el aparato, este no debe estar inclinado más de 45 grados ya que se podría dañar el sellado del sistema.
6. Evite golpear o someter el aparato a vibración fuerte.

Refrigerador GL27BK/GL27WE/GL27S5/GL27RD Manual de Uso y Cuidado Servicio al Cliente: 800-562-0738

### ESPECIFICACIONES

Tipo de Clima	T
Tipo de Protección contra Descarga Eléctrica	I
Capacidad (pies cúbicos)	2.7
Voltaje (VAC)	120
Frecuencia (Hz)	60
Corriente (A)	0.8
Sonido [dB(A)]	≤42
Refrigerante	R600a/0.81oz
Peso Neto	36.38 lbs
Temperatura Interior (F)	32~46.4
Interior	Ancho 19.13
Dimensiones de la Unidad (en pulgadas)	Profundo 19.69
	Alto 24.69

### CONSEJOS PARA SOLUCIONAR PROBLEMAS

Problema	Posible Causa	¿Qué hacer?
El refrigerador no funciona	No se encuentra bien enchufado	Desenchúfelo, espere 10 segundos y vuélvalo a enchufar
	Se botó el cortacircuitos o se fundió un fusible	Reemplace el fusible o reinicie el cortacircuitos
Hay un problema con el tomacorrientes	Hay un problema con el tomacorrientes	Controle a un electricista profesional
El refrigerador parece no estar demasiado frío o los alimentos no se sienten fríos	El ajuste de la temperatura está demasiado tibio	Ajuste la temperatura del refrigerador a un nivel más bajo
	La puerta se abre con mucha frecuencia	Esto es normal
La puerta no cierra completamente	La puerta no cierra completamente	Asegúrese de que no haya nada en el interior que este impidiendo que se cierre la puerta
	Hace mucho calor	Esto es normal

Refrigerador GL27BK/GL27WE/GL27S5/GL27RD Manual de Uso y Cuidado Servicio al Cliente: 800-562-0738

### INDICE

Partes y Características.....	1
Instrucciones Importantes de Seguridad .....	1
Instrucciones Importantes de Conexión a Tierra .....	2
Instrucciones de Instalación .....	3
Instrucciones de Operación .....	3
Limpieza .....	4
Descongelado .....	4
Falla Eléctrica.....	5
Vacaciones.....	5
Para Mover el Refrigerador.....	5
Especificaciones .....	6
Consejos para Solucionar Problemas .....	6
Volteando la Puerta .....	8
Garantía.....	9

Refrigerador GL27BK/GL27WE/GL27S5/GL27RD Manual de Uso y Cuidado Servicio al Cliente: 800-562-0738

### ADVERTENCIA - El uso inadecuado de la conexión a tierra puede resultar en un riesgo de descarga.

1. Consulte a un electricista o personal de servicio calificado si las instrucciones sobre la conexión a tierra no son completamente comprendidas o si tiene dudas sobre la conexión a tierra adecuada para este aparato.
2. Si es necesario usar un cable de extensión, solo utilice uno que tenga 3 hilos con un enchufe de tres clavijas con conexión a tierra y un tomacorrientes con un receptor de 3 entradas en el que pueda enchufar el aparato. La clasificación eléctrica del cable de extensión deberá ser igual o mayor que la clasificación del aparato.

### INSTRUCCIONES DE INSTALACION

1. Antes de utilizar el refrigerador por primera vez, remueva todos los materiales de empaque, incluyendo la base de espuma y la cinta adhesiva que mantiene a los accesorios en su lugar.
2. El refrigerador deberá ser ubicado en una superficie firme y plana que sea lo suficientemente estable para soportar el refrigerador cuando este se encuentre completamente lleno.
3. Elija un lugar que no esté directamente expuesto a la luz solar directa, a altas temperaturas, a fuentes de calor tales como una estufa o un radiador, o en un área húmeda. No elija un lugar donde la temperatura se encuentre por debajo de los 55° F ya que esto podrá causar que el refrigerador no funcione adecuadamente.
4. Deje un mínimo de 1/2 pulgada entre cada lado del aparato y la pared. Las partes superior y posterior del aparato deberán de tener un mínimo de espacio de 1 1/2 pulgadas entre el refrigerador y cualquier otra superficie. Esto permitirá una circulación de aire adecuada. Este aparato fue diseñado para la instalación independiente y no deberá ser empotrado o colocado en un recoveco.
5. Para que el refrigerador funcione adecuadamente, será necesario ajustar las patas durante la instalación. Las patas de nivelación en las esquinas delanteras se pueden ajustar girando hacia la derecha para elevar el aparato, y hacia la izquierda para bajarlo. Asegúrese de mantener el aparato ligeramente inclinado hacia atrás para asegurar que la puerta cierre herméticamente.

Refrigerador GL27BK/GL27WE/GL27S5/GL27RD Manual de Uso y Cuidado Servicio al Cliente: 800-562-0738

### ESPECIFICACIONES

Tipo de Clima	T
Tipo de Protección contra Descarga Eléctrica	I
Capacidad (pies cúbicos)	2.7
Voltaje (VAC)	120
Frecuencia (Hz)	60
Corriente (A)	0.8
Sonido [dB(A)]	≤42
Refrigerante	R600a/0.81oz
Peso Neto	36.38 lbs
Temperatura Interior (F)	32~46.4
Interior	Ancho 19.13
Dimensiones de la Unidad (en pulgadas)	Profundo 19.69
	Alto 24.69

### CONSEJOS PARA SOLUCIONAR PROBLEMAS

Problema	Posible Causa	¿Qué hacer?
El refrigerador no funciona	No se encuentra bien enchufado	Desenchúfelo, espere 10 segundos y vuélvalo a enchufar
	Se botó el cortacircuitos o se fundió un fusible	Reemplace el fusible o reinicie el cortacircuitos
Hay un problema con el tomacorrientes	Hay un problema con el tomacorrientes	Controle a un electricista profesional
El refrigerador parece no estar demasiado frío o los alimentos no se sienten fríos	El ajuste de la temperatura está demasiado tibio	Ajuste la temperatura del refrigerador a un nivel más bajo
	La puerta se abre con mucha frecuencia	Esto es normal
La puerta no cierra completamente	La puerta no cierra completamente	Asegúrese de que no haya nada en el interior que este impidiendo que se cierre la puerta
	Hace mucho calor	Esto es normal

Refrigerador GL27BK/GL27WE/GL27S5/GL27RD Manual de Uso y Cuidado Servicio al Cliente: 800-562-0738

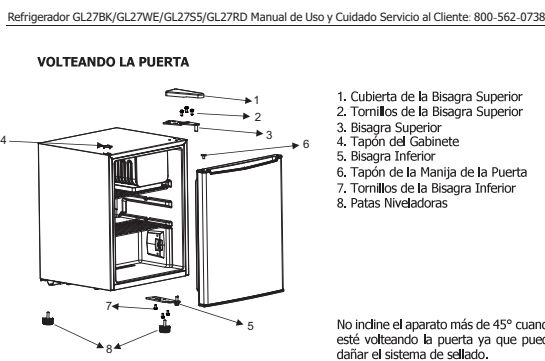
Problema	Posible Causa	¿Qué hacer?
El compresor funciona por demasiado tiempo o los ciclos de encendido y apagado son bastante frecuentes	Hace mucho calor	Esto es normal
	La puerta se abre con mucha frecuencia	Esto es normal
El control de ajuste de temperatura está en la posición más fría	Hay demasiados alimentos dentro del refrigerador	Asegúrese de que no haya nada en el interior que este impidiendo que se cierre la puerta
	Seque la superficie utilizando un paño suave	Ajuste la temperatura a una posición menos fría
Se forma humedad en el exterior del aparato	Esto es normal durante periodos de alta humedad	Esto es normal
Se forma humedad en el interior del aparato	La puerta está levemente abierta	Cierre bien la puerta
	Esto es normal durante periodos de alta humedad	Esto es normal
Ruido causado por vibración	La puerta se abre por demasiado tiempo o frecuentemente	No abra la puerta por un tiempo muy largo o con mucha frecuencia
	El refrigerador está en una superficie irregular	Ajuste las patas niveladoras
	El refrigerador está tocando la pared	Retire el refrigerador de la pared

Las siguientes son condiciones normales que se pueden encontrar durante la operación de este aparato:

- El flujo del refrigerante a través de las bobinas puede causar ruido.
- Los lados del aparato se pueden calentar como resultado de la función enfriadora.

Refrigerador GL27BK/GL27WE/GL27S5/GL27RD Manual de Uso y Cuidado Servicio al Cliente: 800-562-0738

### VOLTEANDO LA PUERTA



1. Remueva la cubierta de la bisagra superior y los 3 tornillos que se encuentran debajo de esta. Después remueva la bisagra superior.
2. Remueva el tapón del gabinete y el tapón de la manija de la puerta.
3. Remueva la puerta del refrigerador.
4. Remueva las patas niveladoras a la izquierda y derecha
5. Remueva los 3 tornillos de la bisagra inferior y la bisagra inferior.
6. Instale la bisagra inferior al otro lado de las patas niveladoras con los 3 tornillos de la bisagra inferior.
7. Instale la bisagra superior a la derecha e izquierda. Hay dos hoyos debajo del refrigerador para meter las dos patas niveladoras.
8. Instale la puerta del refrigerador.
9. Instale la bisagra superior con los 3 tornillos de la bisagra superior.
10. Instale la cubierta de la bisagra superior e instale los tapones del gabinete y de la manija de la puerta en el otro lado.
11. Ajuste las patas niveladoras.

Refrigerador GL27BK/GL27WE/GL27S5/GL27RD Manual de Uso y Cuidado Servicio al Cliente: 800-562-0738

### Garantía Limitada

Esta garantía se aplicará a productos comprados y usados en los Estados Unidos. Esta es la única garantía expresa para este producto y preclude a cualquier otra garantía.

Este producto está garantizado de estar libre de defectos materiales y de manufactura por un periodo de un (1) año de la fecha original de compra, con las excepciones siguientes. Durante este periodo, repararemos o reemplazaremos este producto a nuestra opción.

Esta garantía se extiende solamente al comprador original y no cubre defectos que resulten del abuso, mal uso, negligencia que involucre el incumplimiento de limpiar el aparato regularmente de acuerdo a las instrucciones del fabricante, el uso con fines comerciales, o cualquier otro uso que no sea de acuerdo a aquél impreso en las instrucciones.

Todos los reclamos por daños especiales, incidentales y consecuentes causados por no conformidad con la garantía implícita se encuentran excluidos. Toda responsabilidad se limita al importe del precio de compra. **Toda garantía implícita, incluyendo cualquier garantía legal de comerciabilidad o aptitud para un propósito particular, será negada salvo en la medida prohibida por la ley, en cuyo caso dicha garantía será limitada a la duración de esta garantía escrita.** Esta garantía le otorga derechos legales específicos. Usted podrá tener otros derechos que varían dependiendo del lugar donde viva. Algunos estados no permiten limitaciones o garantías implícitas o daños especiales, incidentales o consecuentes, por lo que la presente garantía podría no aplicar en su caso.

Si tiene que hacer un reclamo bajo esta garantía, por favor llame a nuestro NUMERO DE SERVICIO AL CLIENTE. Para un servicio más eficiente, por favor tenga el modelo, número de serie y tipo a la mano cuando llame al operador.

NUMERO DE SERVICIO AL CLIENTE  
En los Estados Unidos 800-562-0738

CONSERVE ESTE NUMERO PARA FUTURA REFERENCIA!

Garantía: Zhongshan Galanz Consumer  
Electric Appliances Co., Ltd, Guangdong 528429