

Warranty

This KOOLATRON product is warranted to the retail consumer for 90 days from date of retail purchase, against defects in material and workmanship.

WHAT IS COVERED

- Replacement parts and labor.
- Transportation charges to customer for the repaired product.

WHAT IS NOT COVERED

- Commercial or industrial use of this product.
- Damage caused by abuse, accident, misuse, or neglect.
- Transportation of the unit or component from the customer to Koolatron.

IMPLIED WARRANTIES

Any implied warranties, including the implied warranty of merchantability are also limited to duration of 90 days from the date of retail purchase.

WARRANTY REGISTRATION

Register on-line at www.koolatron.com AND keep the original, dated, sales receipt with this manual.

WARRANTY AND SERVICE PROCEDURE

If you have a problem with your unit, or you require replacement parts, please telephone the following number for assistance: **1-800-265-8456**

A Koolatron Master Service Centre must perform all warranty work. Service after warranty may be obtained at a Master Service Centre or at an authorized service dealer. Purchase Receipt is required to establish warranty eligibility.

Koolatron has Master Service Centres at these locations:

U.S.A.

4330 Commerce Dr.
Batavia, NY 14020-4102 U.S.A.

Canada

139 Copernicus Blvd.
Brantford, ON N3P 1N4 Canada



DUAL ZONE WINE CELLAR

12-bottle wine cooler



www.koolatron.com

©2016 Koolatron, Inc. All rights reserved.

All specification are subject to change without notice.

H1S222

10/2016-v1

WC12-DZ

User Manual

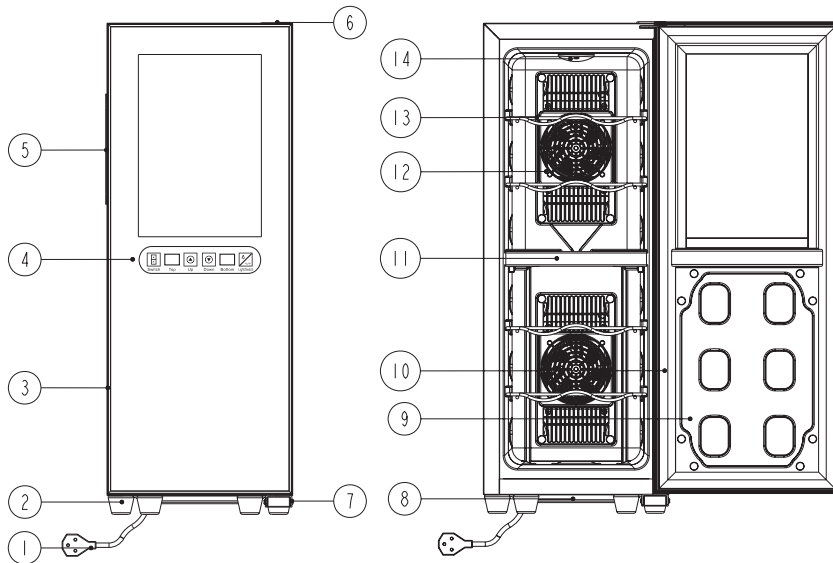
FEATURES

- free-standing
- capacity: 12 bottles x 750 mL (25 fl. oz.)
- thermoelectric cooling
- digital temperature controls in °C or °F
- temperature range
 - upper zone 12°C to 18°C (54°F to 66°F)
 - lower zone 6°C to 18°C (43°F to 66°F)
- mirror glass door
- removable shelves
- dark interior
- soft interior light
- adjustable legs
- vibration free

SPECIFICATIONS

Power Requirements:	AC 120V 60Hz 100 Watts
Capacity:	12 x 750 ml (25.4 oz) bottles
Max. Temp.:	18°C +/- 3°C (66°F +/- 5°F) at 22°C (72°F) ambient air temp.
Min. Temp.:	6°C +/- 3°C (43°F +/- 5°F) at 22°C (72°F) ambient air temp.
Weight:	13.7 kg (30.2 lbs)

PARTS



- | | |
|-------------------------|--------------------|
| 1. Power cord | 8. Water tray |
| 2. Foot | 9. Door liner |
| 3. Door frame | 10. Door seal |
| 4. Glass door | 11. Isolated board |
| 5. Recessed handle | 12. Cold fan mask |
| 6. Top door hinge cover | 13. Shelf |
| 7. Bottom door hinge | 14. Lamp cover |

IMPORTANT SAFEGUARDS

Before the appliance is used, it must be properly positioned and installed as per the instruction in the **Installation** section. To reduce the risk of fire, electric shock or injury, follow basic precautions including the following:

1. Read all instructions before using the appliance.
2. Plug into a grounded 3-prong outlet, do not remove grounding prong, do not use an adapter, and do not use an extension cord.
3. Do not place any other household appliances on top of the unit.
4. It is recommended that a separate circuit, serving only your appliance be provided. Use receptacles that cannot be turned off by a switch or pull chain.
5. Never clean appliance parts with flammable fluids. Do not store or use gasoline or other flammable vapors and liquids in the vicinity of this or any other appliance. The fumes can create a fire hazard or explosion.
6. Failure to unplug the appliance during cleaning could result in electrical shock or personal injury.
7. Do not connect or disconnect the plug when your hands are wet.
8. Do not operate any appliance with a damaged cord or plug or after the appliance malfunctions or has been damaged in any manner. Return appliance for examination, repair or replacement of any part of the unit. See the **Warranty** section.
9. To ensure proper ventilation for your appliance, follow the instructions in the **Installation** section for proper clearances. Choose a well-ventilated area with temperatures above 55°F (13°C) and below 90°F (32°C).
10. Do not use outdoors.
11. The appliance should not be located next to ovens, grills or other sources of high heat.
12. It is important for the appliance to be leveled to work properly.
13. Never allow children to operate, play with or crawl inside the unit.
14. Do not use this appliance for other than its intended use.

DANGER - Risk of child entrapment

Before disposing of your appliance, ensure that the door(s) are removed. Shelves should also be left in place to help avoid children climbing inside. Never allow a child to operate, play with or climb inside the appliance.

GROUNDING PLUG

To reduce the risk of electric shock this appliance has a grounded plug (2 blades and 1 pin). If the plug does not fit fully into the electrical outlet contact a qualified electrician. Do not modify the plug in any way or use an adaptor.

Use an exclusive wall outlet. Do not connect your unit to extension cords or together with any other appliance in the same wall outlet. If the power cord is too short, have a qualified electrician or service technician install an outlet near the appliance.

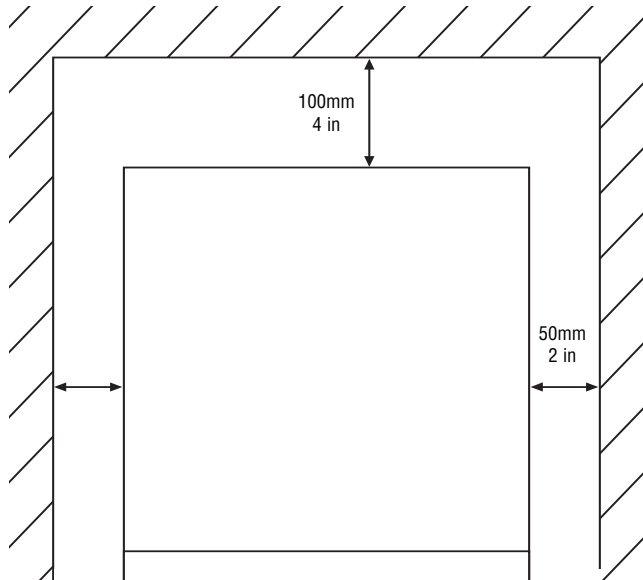
INSTALLATION

BEFORE USING YOUR WINE CELLAR

- Remove the exterior and interior packing.
- Before connecting the Wine Cellar to the power source, let it stand upright for approximately 2 hours. This will reduce the possibility of a malfunction in the cooling system from handling during transportation.
- Clean the interior surface with lukewarm water using a soft cloth.

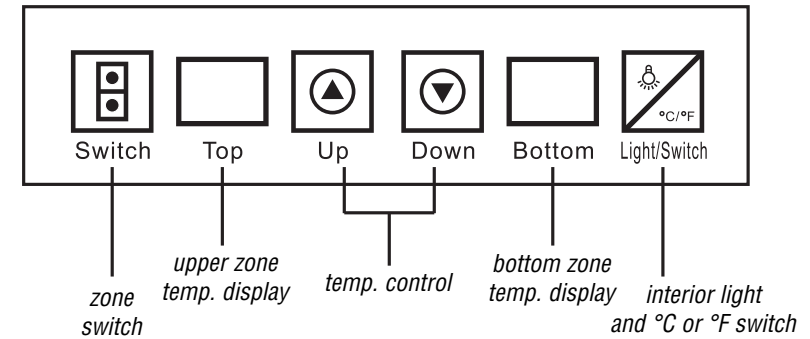
INSTALLATION OF YOUR WINE CELLAR

- This appliance is designed for free standing installation. Allow 50mm (2") of space between the unit's side and 100mm (4") between back and the wall.
- Place your Wine Cellar on a floor that is strong enough to support it when it is fully loaded. To level your Wine Cellar, adjust the front leveling leg at the bottom of the Wine Cellar.
- Locate the Wine Cellar away from direct sunlight and sources of heat (stove, heater, radiator, etc.). Direct sunlight may affect the acrylic coating and heat sources may increase electrical consumption. Extreme cold ambient temperatures may also cause the unit not to perform properly.
- Avoid locating the unit in moist areas.
- Plug the Wine Cellar into an exclusive, properly installed-grounded wall outlet. Do not under any circumstances cut or remove the third (ground) prong from the power cord. Any questions concerning about power and/or grounding should be directed toward a certified electrician or an authorized products service center.



OPERATING INSTRUCTIONS

1. Insert the power plug into the power socket. Make sure the power socket is 110-120V AC/60Hz.



2. Set the desired cooling temperature by pressing the buttons (▲) or (▼) to set your desired temperature. Each depression of the buttons will scroll through the available temperature settings. Numbers will flash while setting. Solid numbers indicate the current internal temperature in Celcius degrees.
3. Allow the empty Wine Cellar to operate for approx. 3 hours. This will allow it to reach the desired temperature.
4. Fill the wine cooler with your choice of wine bottles. Allow 24 hours of operation before the bottles reach the desired temperature.
5. The centre touch control button operates both the interior light and switches the temp. display from Celcius to Fahrenheit. Touch once to turn the interior light on or off. To switch between Celcius and Fahrenheit, hold button for 4 seconds.

The Wine Cellar should be placed where the ambient temperature is between 59°F to 77°F (15°C to 25°C). If the ambient temperature is above or below this range, the performance of the unit may be affected. For example, placing your unit in extreme cold or hot conditions may cause interior temperatures to fluctuate.

RECOMMENDED TEMPERATURES FOR CHILLING WINE

Red Wines: 15-18°C (58-66°F)
White Wines 8-15°C (46-57°F)

The above temperatures may fluctuate depending on whether the interior light is ON or OFF or the bottles are located on the upper/middle/lower section.

MAINTENANCE

CLEANING YOUR WINE CELLAR

- Turn off the power, unplug the appliance, and remove all items including shelves and rack.
- Wash the inside surfaces with warm water and baking soda solution. The solution should be about 30 ml (2 tbsp) baking soda to 1L (1 quart) of water.
- Wash the shelves with a mild detergent solution.
- Wring excess water out of the sponge or cloth when cleaning area of the controls, or any electrical parts.
- Wash the outside cabinet with warm water and mild liquid detergent.
- Rinse well and wipe dry with a clean soft cloth.

POWER FAILURE

Most power failures are corrected within a few hours and should not affect the temperature of your appliance if you minimize the number of times the door is opened. If the power is going to be off for a longer period of time, you need to take the proper steps to protect your contents.

VACATION TIME

- Short vacations: Leave the WINE COOLER operating during vacations of less than three weeks.
- Long vacations: If the appliance will not be used for several months, remove all items and turn off the appliance. Clean and dry the interior thoroughly. To prevent door and mold growth, leave the door open slightly, blocking it open if necessary.

MOVING YOUR WINE COOLER

- Remove all items.
- Securely tape down all loose items (shelves) inside your appliance.
- Turn the adjustable leg up to the base to avoid damage.
- Tape the door shut.
- Be sure the appliance stays secure in the upright position during transportation. Also protect the outside of the appliance with a blanket, or similar item.

ENERGY SAVING TIPS

The Wine Cellar should be located in the coolest area of the room, away from heat producing appliances, and out of the direct sunlight.

TROUBLESHOOTING GUIDE

You can solve many common appliance problems easily, saving you the cost of a possible service call. Try the suggestions below to see if you can solve the problem before calling the servicer.

PROBLEM	POSSIBLE CAUSE
Appliance does not operate.	Not plugged in. The circuit breaker tripped or a blown fuse.
Appliance is not cold enough.	Check the temperature control setting. External environment may require a higher setting. The door is opened too often. The door is not closed completely. The door gasket does not seal properly.
Turns on and off frequently.	The room temperature is hotter than normal. The door is opened too often. The door is not closed completely. The temperature control is not set correctly. The door gasket does not seal properly.
The light does not work.	Not plugged in. The circuit breaker tripped or a blown fuse. The bulb has burned out.
Vibrations.	Check to assure that the appliance is level.
The appliance seems to make too much noise.	Contraction and expansion of the inside walls may cause popping and crackling noises. The appliance is not level.
The door will not close properly.	The appliance is not level. The door was reversed and not properly installed. The gasket is dirty. The shelves are out of position.